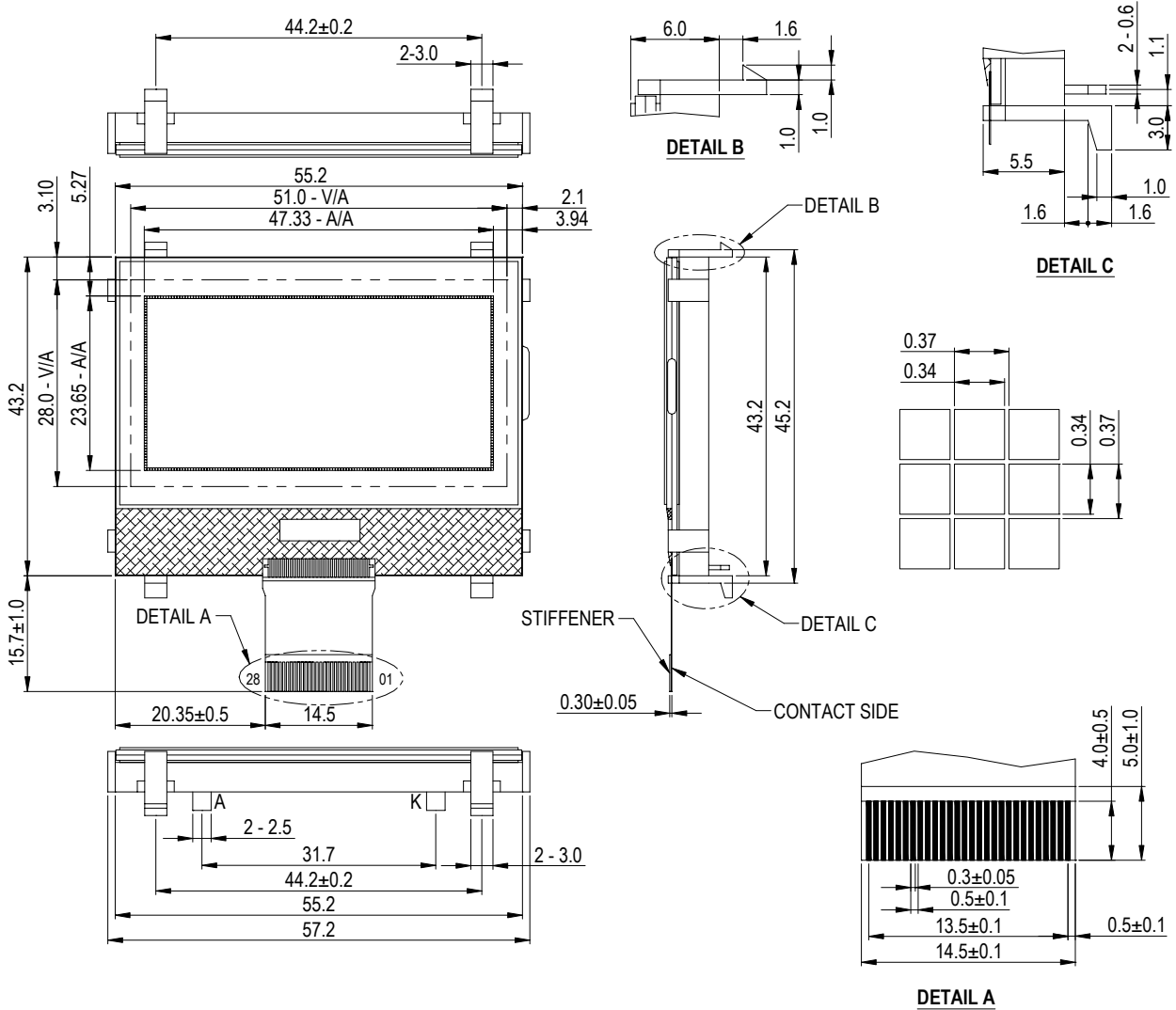




# STANDARD GRAPHICS MODULES

## G64128X13.....OUTLINE DIMENSION AND ELECTRICAL SPECIFICATION



**NOTES:**

- 1.VDD = 3.3V (TYP)
- 2.VLCD = 8.0 ± 5.0% V
- 3.IDD = 550uA (TYP)
- 4.DUTY CYCLE = 1/64
- 5.BIAS = 1/9
- 6.CONTROLLER = S6B0724
- 7.CONNECTOR = HEATSEAL
- 8.UNMARKED TOLERANCES = ±0.30mm

**PIN ASSIGNMENT**

<b>PIN</b>	1	2	3	4	5	6	7	8	9	10
<b>SYMBOL</b>	/CS	/RES	RS	R/W	E	DB0	DB1	DB2	DB3	DB4

<b>PIN</b>	11	12	13	14	15	16	17	18	19	20
<b>SYMBOL</b>	DB5	DB6	DB7	VDD	VSS	VOUT	C4+	C3+	C1-	C+

<b>PIN</b>	21	22	23	24	25	26	27	28
<b>SYMBOL</b>	C2+	C2-	V1	V2	V3	V4	V0	P/S

**BACKLIGHT OPTION**

LED COLOR	OPTION	VOLTAGE(V)	FORWARD CURRENT(mA)		
			MIN	TYP	MAX
YELLOW GREEN	YES	4.2	-	30	-
WHITE	NO	-	-	-	-
BLUE	NO	-	-	-	-

CCT reserves the right to vary or make changes to the specifications of the module in this brochure at any time without prior notice. CCT further assumes no responsibility for its use, nor for any infringements of patents, pending applications or the rights of thirds parties as a result of its use.