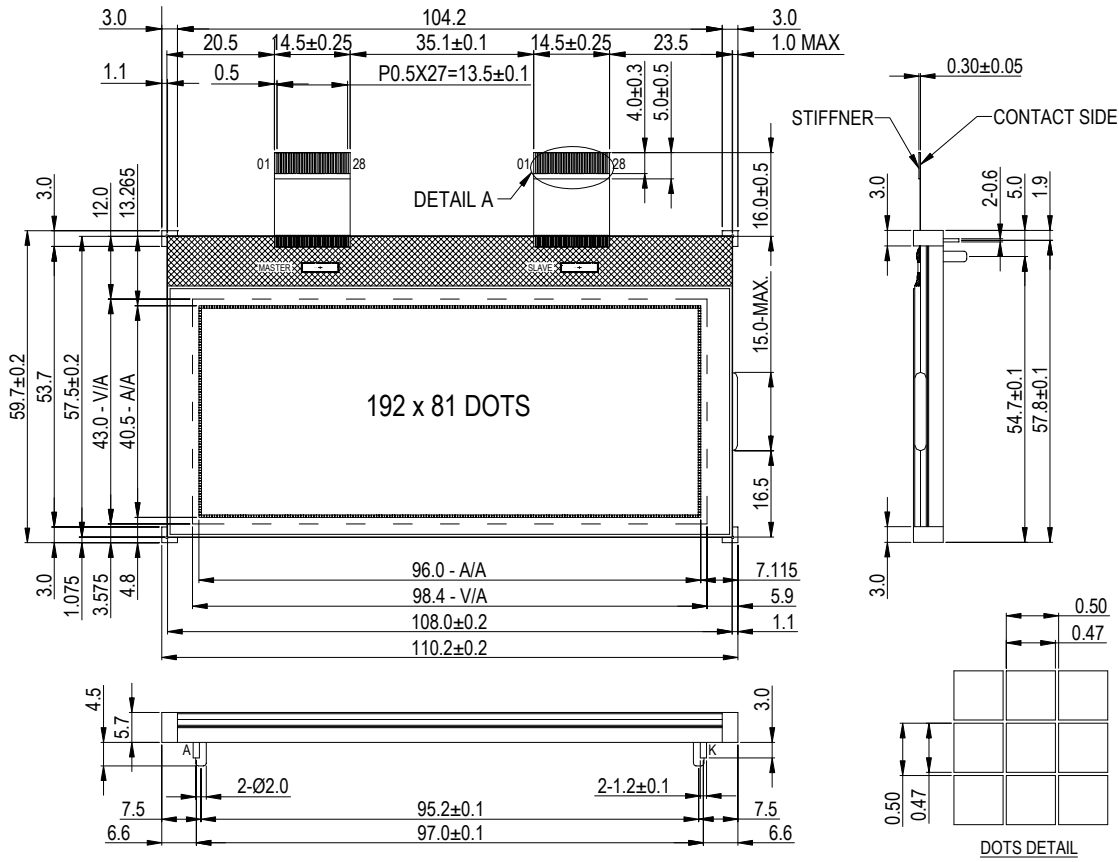




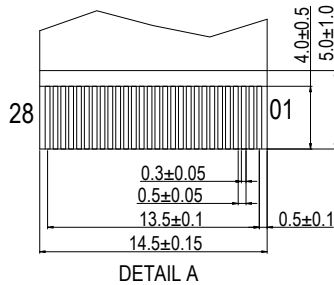
# STANDARD GRAPHICS MODULES

## G81192X01 ..... OUTLINE DIMENSION AND BLOCK DIAGRAM



**NOTES:**

- 1.VDD = 3.3 V (TYP)
- 2.VLCD = 9.45±5%
- 3.IDD = 1.5 mA (typ)
- 4.DUTY CYCLE = 1/81
- 5.BIAS = 1/10
- 6.CONTROLLER = 2 x STE2010
- 7.CONNECTOR = HEATSEAL
- 8.UNMARKED TOLERANCES = ±0.30mm



**BACKLIGHT OPTION**

LED COLOR	OPTION	VOLTAGE(V)	FORWARD CURRENT(mA)		
			MIN	TYP	MAX
YELLOW GREEN	NO	-	-	-	-
WHITE	YES	5.0	-	60	-
BLUE	NO	-	-	-	-

**MASTER**

PIN	SYMBOL
1	SEL3
2	SEL2
3	SEL1
4	VDD1
5	VDD1
6	VDD2
7	VDD2
8	VDD2
9	RES
10	CS
11	D/C
12	R/W-RD
13	E/WR
14	D7/SDIN-SDAIN
15	D6/SDCLK
16	D5
17	D4
18	D3
19	D2
20	D1
21	D0
22	VSS
23	VSS
24	VSS
25	PSAVE
26	PSAVE
27	VLCD
28	VLCD

**SLAVE**

PIN	SYMBOL
1	SEL3
2	SEL2
3	SEL1
4	VDD1
5	VDD1
6	VDD2
7	VDD2
8	VDD2
9	RES
10	CS
11	D/C
12	R/W-RD
13	E/WR
14	D7/SDIN-SDAIN
15	D6/SDCLK
16	D5
17	D4
18	D3
19	D2
20	D1
21	D0
22	VSS
23	VSS
24	VSS
25	PSAVE
26	PSAVE
27	VLCD
28	VLCD

CCT reserves the right to vary or make changes to the specifications of the module in this brochure at any time without prior notice. CCT further assumes no responsibility for its use, nor for any infringements of patents, pending applications or the rights of thirds parties as a result of its use.