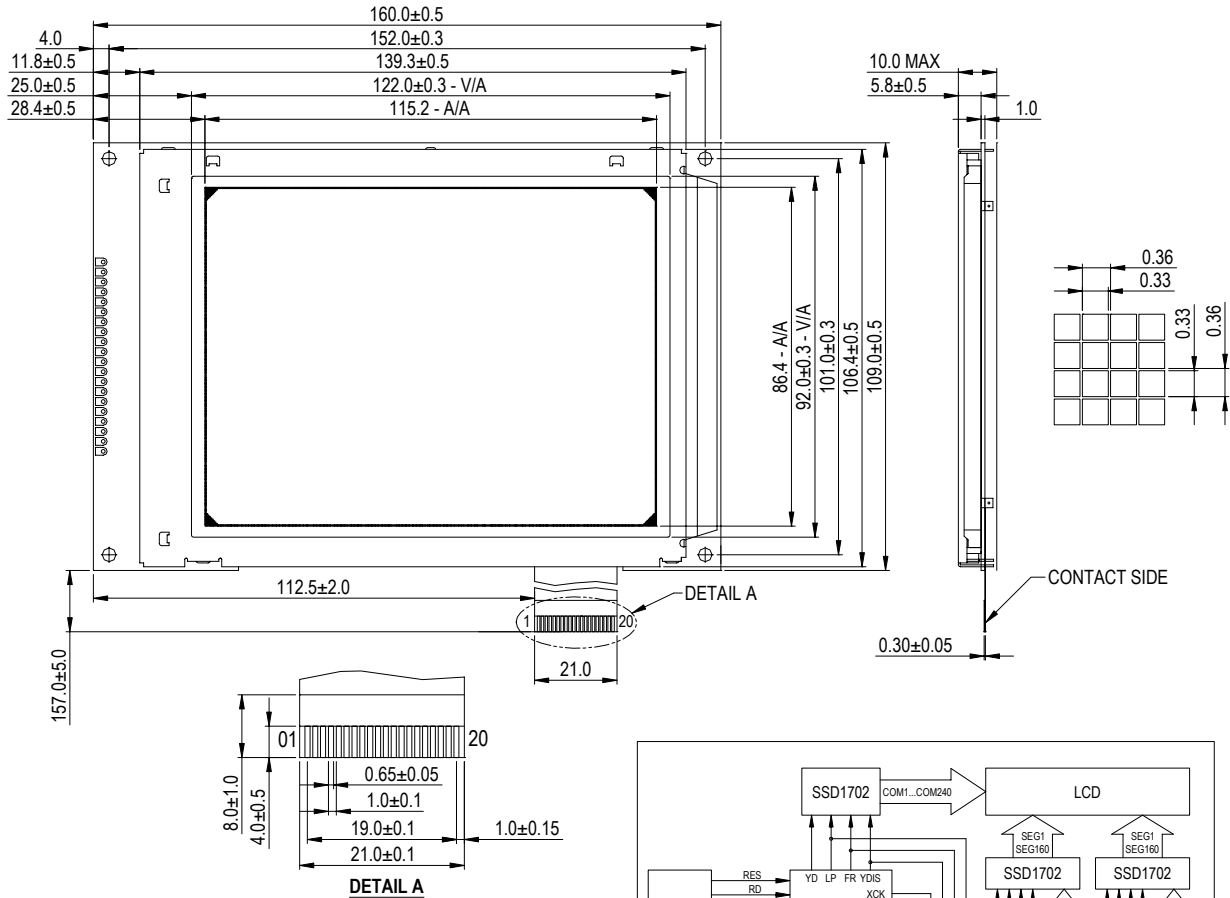




STANDARD GRAPHICS MODULES

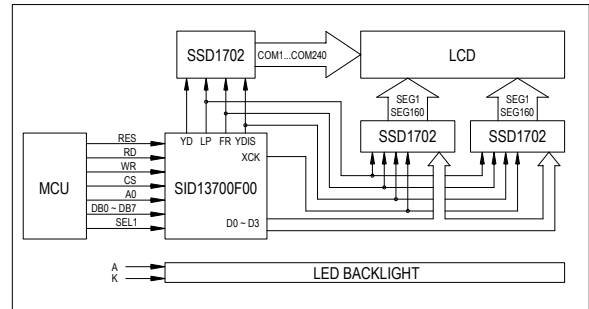
G2432X17 OUTLINE DIMENSION AND BLOCK DIAGRAM



The tolerance unless classified ± 0.3 mm

PIN ASSIGNMENT		
NO	SYMBOL	FUNCTION
1	/RES	RESET
2	/RD (E)	DATA READ (ENABLE SIGNAL)
3	/WR (R/W)	DATA WRITE (R/W SIGNAL)
4	CS	CHIP SELECT
5	A0	SELECT DISPLAY DATA/INSTRUCTION
6	D0	DATA BUS LINE
7	D1	DATA BUS LINE
8	D2	DATA BUS LINE
9	D3	DATA BUS LINE
10	D4	DATA BUS LINE
11	D5	DATA BUS LINE
12	D6	DATA BUS LINE
13	D7	DATA BUS LINE
14	VDD	SUPPLY TERMINAL
15	GND	GROUND TERMINAL
16	VEE	POSITIVE SUPPLY VOLTAGE
17	V0	LCD CONTRAST ADJUST
18	SEL1	SELECTION 6800/8080
19	BL+	LED BACKLIGHT POWER SUPPLY
20	BL-	LED BACKLIGHT GROUND

NOTE :
 1. BACKLIGHT : SIDE LED BACKLIGHT
 2. OTHER OPTION : INTERNAL VEE



ABSOLUTE MAXIMUM RATING						
Item	Symbol	Conditions	Min.	Max.	Unit	
Power Supply Voltage	Vdd-Vss	-	-0.3	7.0	V	
LCD driver supply voltage	Vee - Gnd	-	-	26.0	V	
OPERATING TEMPERATURE	T _{opr}	Normal	-10	+60	°C	
STORAGE TEMPERATURE	T _{stg}	Normal	-20	+70	°C	

ELECTRICAL CHARACTERISTIC (Vdd = + 5v, Ta = 25°C)

Item	Symbol	Conditions	Min.	Typ.	Max.	Unit	
Logic Supply Voltage	Vdd	-	4.5	5	5.5	V	
"H" Input Voltage	V _{ih}	-	3.5	-	Vdd	V	
"L" Input Voltage	V _{il}	-	0	-	1.0	V	
Module Supply Current	I _{dd}	-	-	20	25	mA	
LCD Driving Voltage	V _{lcd}	Vo-Gnd	21.4	22.5	23.6	V	

BACKLIGHT OPTION

LED COLOR	OPTION	CONDITION	FORWARD CURRENT (mA)		
			MIN	TYP	MAX
WHITE	YES	V _{led} = 5.0V R _{led} = 5.0ohm	-	190	-
BLUE	NO	-	-	-	-
AMBER	NO	-	-	-	-
CCFL	NO	-	-	-	-

CCT reserves the right to vary or make changes to the specifications of the module in this brochure at any time without prior notice. CCT further assumes no responsibility for its use, nor for any infringements of patents, pending applications or the rights of thirds parties as a result of its use.