

# CRYSTAL CLEAR TECHNOLOGY

## Product Specification

### T280B05X00

(REVISION 2)

**Crystal Clear Technology Sdn. Bhd.**

16 Jalan TP5, Taman Perindustrian Sime UEP,

47600 Subang Jaya, Selangor DE

Tel: +603-80247099

Website: [www.cct.com.my](http://www.cct.com.my)

---



1.0 Table of Contents

No	Title	Page
1	Table of Contents	1
2	Record of revision	2
3	General Specification	3
4	Absolute Maximum Ratings	4
5	Electrical Characteristics	5
6	Optical Characteristics	7
7	AC Characteristics	10
8	Reliability Test Condition	15
9	Inspection Criteria	16
10	Precaution and Limited Warranty	17
11	Mechanical Specification	21
12	Attachment	
	1. Capacitive touch panel specification – TP0092	



2.0 Records of Revision

Rev	Date	Item	Page	Comment	Originator	Checked By
1.0	30.05.16			Initial Release	SCChong	Azhar
2.0	13.06.17			Add CTP Version	Azhar	Azhar



3.0 General Specification

T280B05X00 is 2.8" color TFT-LCD (Thin Film Transistor Liquid Crystal Display) module composed of LCD panel, driver ICs control circuit and LED backlight. This display area contains 240 x 320 pixels and can display up to 65k colors. This product compliant with RoHS environmental requirement.

Item	Contents	Unit	Note
LCD Type	2.8" TFT	-	
Display color	65k		1
Viewing Direction (Optimum View)	6	O 'Clock	
Module size	50×69.2×2.25	mm	2
Active Area(W×H)	43.2×57.6	mm	
Number of Dots	240×RGB×320	dots	
Contrast Ratio	300 : 1	-	
Controller	ST7789V or equivalent	-	
Backlight	4-LEDs (white)	pcs	
Brightness	250	cd/m2	
Interface Mode	TTL RGB	-	
Data Transfer	RGB	-	

Note1: Color tone is slightly changed by temperature and driving voltage.

Note2: FPC or wire are not included.

Note3: Brightness on LCD surface. Module with CTP or RTP, brightness will be about 20% (max) lower on the touch panel surface.

AVAILABLE OPTION

<input type="checkbox"/> <input type="checkbox"/> <input type="checkbox"/> <input type="checkbox"/> <input type="checkbox"/> <input type="checkbox"/> <input type="checkbox"/> <input checked="" type="checkbox"/> X <input type="checkbox"/> 0 <input type="checkbox"/> 0 <input checked="" type="checkbox"/> X
TOUCH PANEL N : Without Touch Panel C : Capacitive Touch Panel R : Resistive Touch Panel SEMI - CUSTOMISE (MINOR CHANGES FROM STANDARD MODEL) 00 - STANDARD SPECIFICATION MODEL OTHER OPTION C : STANDARD COVER LENS
REFER TO FACTORY FOR FURTHER INFORMATION. TERMS AND CONDITIONS APPLY



4.0 Absolute Maximum Ratings

4.1 Electrical Absolute Maximum ratings (Vss = 0V, Ta = 25°C)

Item	Symbol	Min.	Max.	Unit	Note
Power Supply Voltage	VDD	-0.3	4.6	V	1, 2
Logic Signal Input /Output Voltage	VDDIO	-0.3	4.6	V	
Power Supply Voltage for LCD	Vop	0	3.6	V	
Current of LED	ILED	0	30	mA/led	

Notes:

1. If the module is above these absolute maximum ratings. It may become permanently damaged.
2.  $V_{CC} > V_{SS}$  must be maintained.
3. Please be sure users are grounded when handing LCD Module.

4.2 Environmental Absolute Maximum Ratings

Item	Storage		Operating		Note
	MIN.	MAX.	MIN.	MAX.	
Ambient Temperature	-30°C	80°C	-20°C	70°C	1,2
Humidity	-	-	-	-	3

1. The response time will become lower when operated at low temperature.
2. Background color changes slightly depending on ambient temperature. The phenomenon is reversible.
3.  $T_a \leq 40^\circ\text{C}$  and 85%RH MAX.  
( $T_a \geq 40^\circ\text{C}$ . Absolute humidity must be lower than the humidity of 85%RH at  $40^\circ\text{C}$ )

**5.0 Electrical Characteristics and Instruction Code****5.1 Electrical Characteristics (V<sub>SS</sub> = 0V, T<sub>a</sub> = 25°C)**

Parameter	Symbol	Condition	Min	Typ	Max	Unit	Note	
Power supply	VDD	T <sub>a</sub> =25°C	2.6	2.8	3.3	V		
Interface Operation voltage	VDDIO	T <sub>a</sub> =25°C	1.65	1.8	3.3	V		
Input voltage	'H'	V <sub>IH</sub>	V <sub>CC</sub> =2.8V	0.7V <sub>CC</sub>	-	V <sub>CC</sub>	V	
	'L'	V <sub>IL</sub>	V <sub>CC</sub> =2.8V	0	-	0.3V <sub>CC</sub>	V	
Current Consumption	ICC1	Normal mode	-	-	-	mA	2	
	ICC2	Sleep mode	-	-	-	mA	2	

Note:

- 1: When an optimum contrast is obtained in transmissive mode.
- 2: Tested in 1X1 chessboard pattern.

**5.2 LED Backlight Specification (V<sub>SS</sub> = 0V, T<sub>a</sub> = 25°C)**

Item	Symbol	Condition	Min	Typ	Max	Unit	Note
Supply Voltage	V <sub>LED</sub>	-	2.9	3.1	3.3	V	1
Supply Current	I <sub>f</sub>	-	-	80	-	mA	2
Led lifetime			30000				3

Note:

1. V<sub>LED</sub>=V<sub>LED</sub> (+)-V<sub>LED</sub> (-).
2. It is recommended that customer supply constant current to prolong the led lifetime and optimum led performance
3. Definition of Lifetime: Luminance < 50% of initial Luminance  
(Test condition: T<sub>a</sub> = 25°C, Constant current supply (typical Value))

**5.3 Interface Signal**

Pin No.	Symbol	I/O	Function
1	NC		No Connection
2	VLED-	P	LED back light(Cathode)
3	VLED+	P	LED back light(Anode)
4	IM0	I	The MCU interface mode select
5	IM1	I	The MCU interface mode select
6	IM2	I	The MCU interface mode select
7	VDD	P	Power Supply
8	VDDIO	P	Interface Operating Voltage
9	TE	O	Tearing effect signal is used to synchronize MCU to frame memory
10	SDA	I/O	SPI interface input/output pin If not used, please fix this pins at VDDIO or GND
11	CS	I	Chip select pin
12	RESET	I	Reset pin
13	RS/SCL	I	Display data/command selection pin in parallel interface Used to be serial interface clock
14	WR	I	Write enable in MCU parallel interface If not used, please fix this pins at VDDIO or GND
15	RD	I	Read enable in parallel interface If not used, please fix this pins at VDDIO or GND
16 -23	D7 – D0	I/O	DB[7:0] are used as MCU parallel interface data bus If not used, please fix this pins at VDDIO or GND
24	GND	P	Ground

The MCU interface mode select:

IM2	IM1	IM0	MCU Interface Mode
0	0	0	8080 8-bit parallel
1	0	1	3-line 9-bit
1	1	0	4-line 8-bit



6.0 Optical Characteristics

Item	Symbol	Condition	Min.	Typ.	Max.	Unit	Note
Brightness	Bp	$\theta=0^\circ$	220	250	-	Cd/m <sup>2</sup>	1
Uniformity	$\Delta Bp$	$\Phi=0^\circ$	80	-	-	%	1,2
Viewing Angle	3:00	Cr $\geq$ 10	40	55	-	Deg	3
	6:00		40	55	-		
	9:00		40	45	-		
	12:00		40	55	-		
Contrast Ratio	Cr	$\theta=0^\circ$ $\Phi=0^\circ$	200	300		-	4
Response Time	T <sub>r</sub>		-	16	-	ms	5
	T <sub>f</sub>		-	12	-	ms	
NTSC Ratio	S		45	60	-	%	

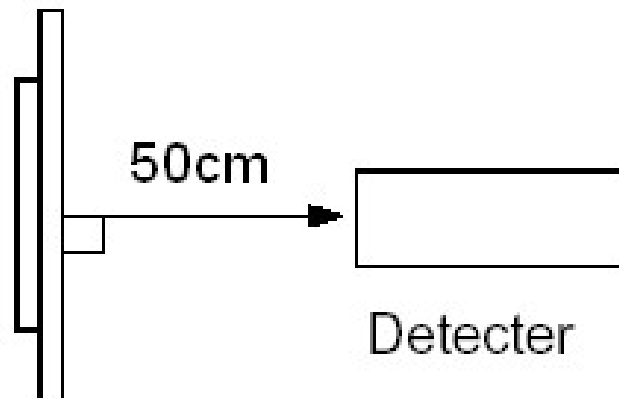
Note: The parameter is slightly changed by temperature, driving voltage and materiel

Note 1: The data are measured after LEDs are turned on for 5 minutes. LCM displays full white. The brightness is the average value of 9 measured spots. Measurement equipment PR-705 (Φ8mm)

Measuring condition:

- Measuring surroundings: Dark room.
- Measuring temperature: Ta=25°C.
- Adjust operating voltage to get optimum contrast at the center of the display.

Measured value at the center point of LCD panel after more than 5 minutes while backlight turning on.



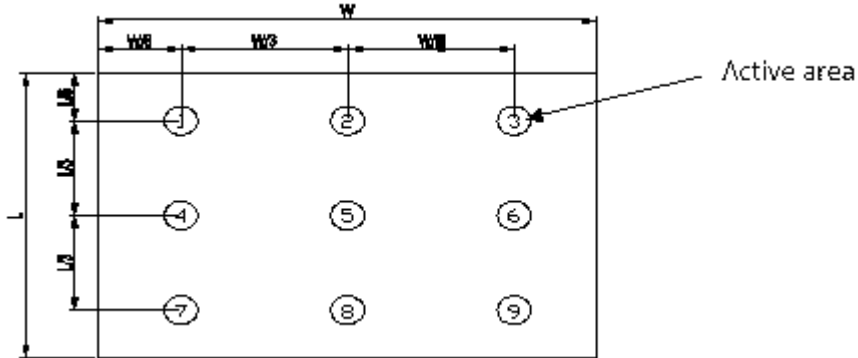




Note 2: The luminance uniformity is calculated by using following formula.

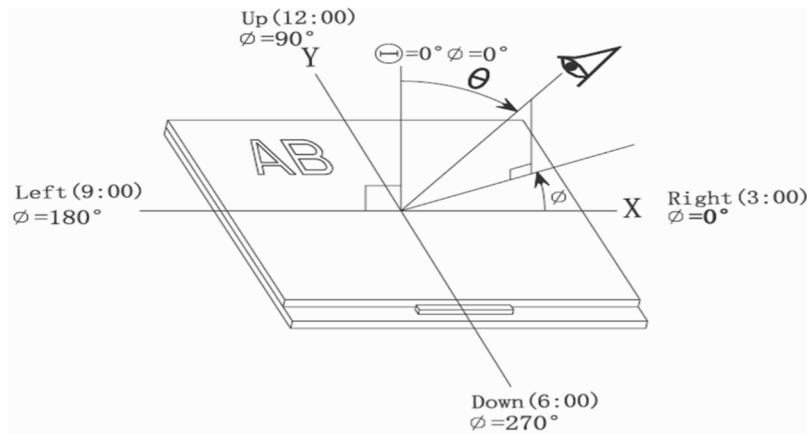
$$\Delta Bp = Bp (\text{Min.}) / Bp (\text{Max.}) \times 100 (\%)$$

$Bp (\text{Max.})$  = Maximum brightness in 9 measured spots  
 $Bp (\text{Min.})$  = Minimum brightness in 9 measured spots.

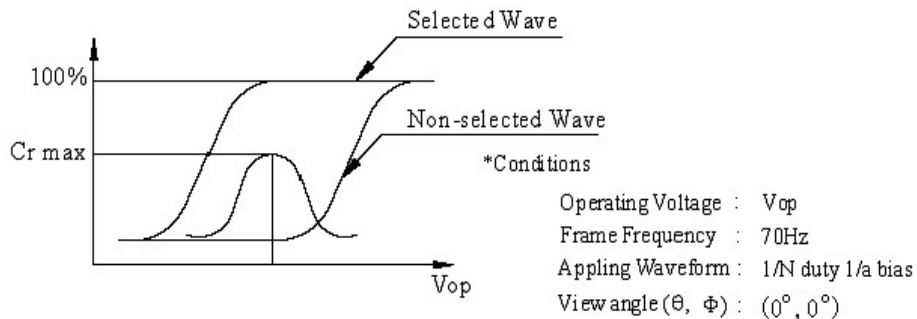


Note 3: The definition of viewing angle:

Refer to the graph below marked by  $\theta$  and  $\phi$



Note 4: Definition of contrast ratio. (Test LCD using DMS501)

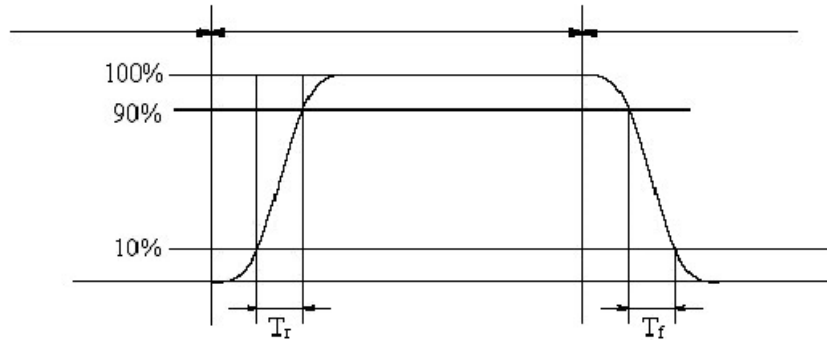


$$\text{Contrast ratio (Cr)} = \frac{\text{Brightness of selected dots}}{\text{Brightness of non-selected dots}}$$



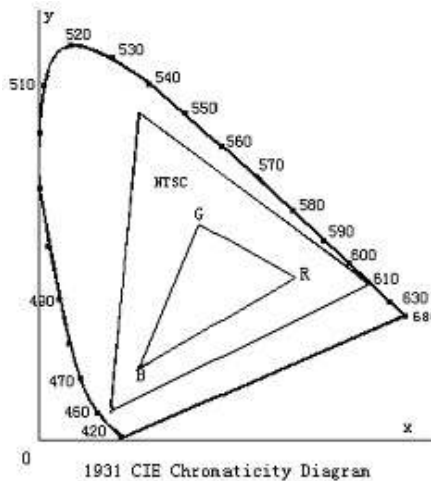
Note 5: Definition of Response time. (Test LCD using DMS501):

The output signals of photo detector are measured when the input signals are changed from "black" to "white"(falling time) and from "white" to "black"(rising time), respectively. The response time is defined as the time interval between the 10% and 90% of amplitudes. Refer to figure as below.



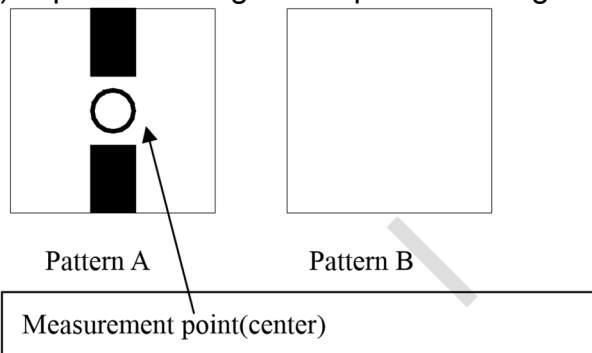
The Definition of response time

Note 6: Definition of Color of CIE Coordinate and NTSC Ratio.



Note 7: Definition of cross talk.

Cross talk ratio (%) = [pattern A Brightness-pattern B Brightness]/pattern A

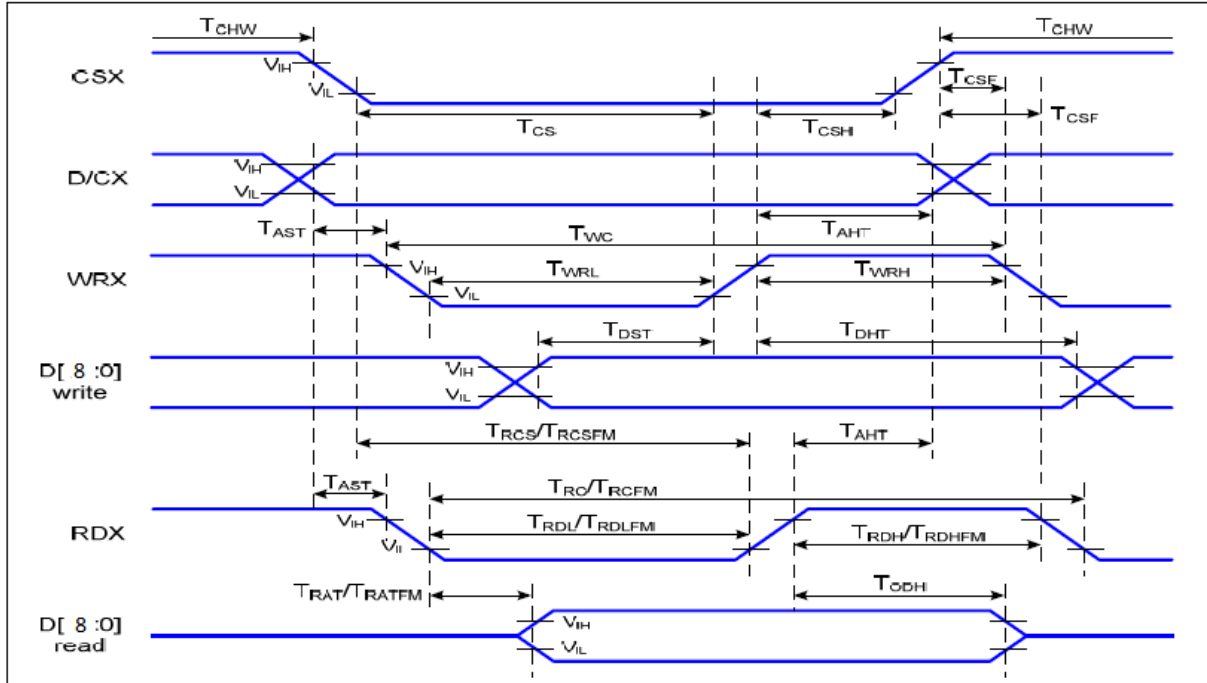


Electric volume value = 3F+/-3Hex



7.0 AC Characteristics

7.0.1 8080 Series MCU Parallel Interface Characteristics: 8-bit Bus



VDDI=1.65 to 3.3V, VDD=2.4 to 3.3V, AGND=DGND=0V, Ta= -30 to 70 °C

Signal	Symbol	Parameter	Min	Max	Unit	Description
D/CX	T <sub>AST</sub>	Address setup time	0		ns	
	T <sub>AHT</sub>	Address hold time (Write/Read)	10		ns	
CSX	T <sub>CHW</sub>	Chip select "H" pulse width	0		ns	
	T <sub>CS</sub>	Chip select setup time (Write)	15		ns	
	T <sub>RCS</sub>	Chip select setup time (Read ID)	45		ns	
	T <sub>RCSFM</sub>	Chip select setup time (Read FM)	355		ns	
	T <sub>CSF</sub>	Chip select wait time (Write/Read)	10		ns	
	T <sub>CSH</sub>	Chip select hold time	10		ns	
WRX	T <sub>WC</sub>	Write cycle	66		ns	
	T <sub>WRH</sub>	Control pulse "H" duration	15		ns	
	T <sub>WRL</sub>	Control pulse "L" duration	15		ns	
RDX (ID)	T <sub>RC</sub>	Read cycle (ID)	160		ns	When read ID data
	T <sub>RDH</sub>	Control pulse "H" duration (ID)	90		ns	
	T <sub>RDL</sub>	Control pulse "L" duration (ID)	45		ns	
RDX (FM)	T <sub>RCFM</sub>	Read cycle (FM)	450		ns	When read from frame memory
	T <sub>RDHF</sub>	Control pulse "H" duration (FM)	90		ns	
	T <sub>RDLFM</sub>	Control pulse "L" duration (FM)	355		ns	
D[8:0]	T <sub>DST</sub>	Data setup time	10		ns	For CL=30pF



	$T_{DHT}$	Data hold time	10		ns
	$T_{RAT}$	Read access time (ID)		40	ns
	$T_{RATFM}$	Read access time (FM)		340	ns
	$T_{ODH}$	Output disable time	20	80	ns

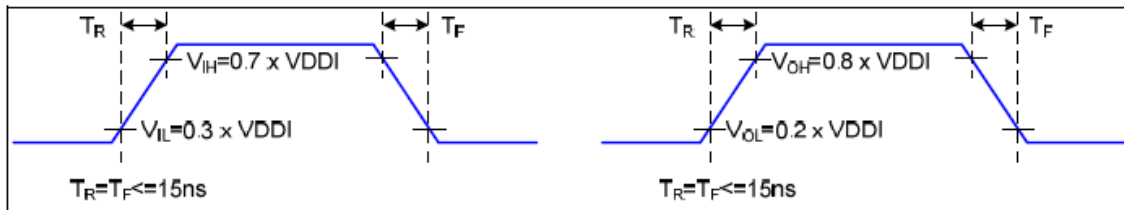


Figure Rising and Falling Timing for I/O Signal

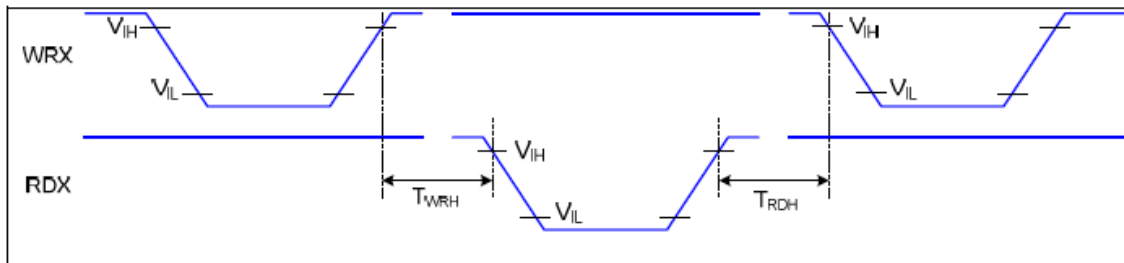
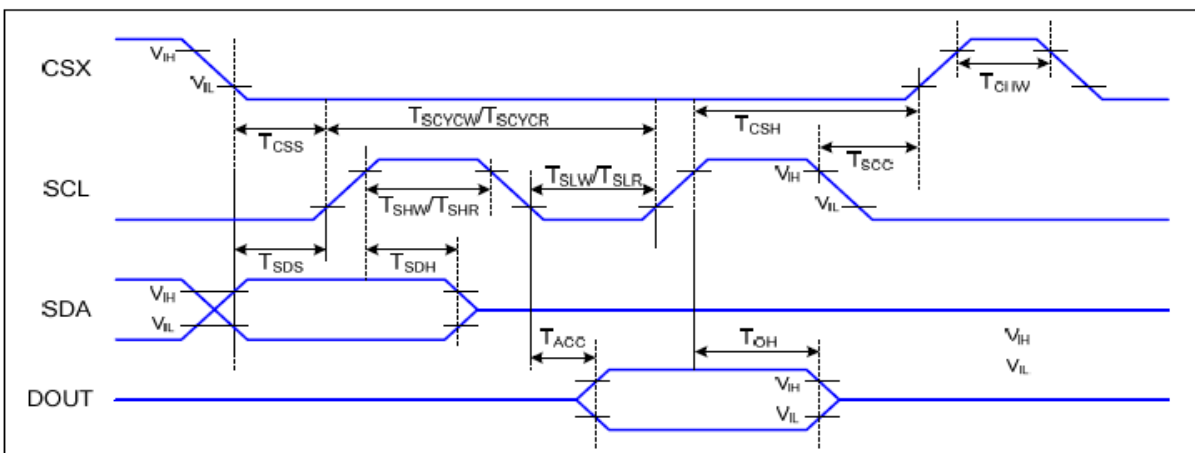


Figure Write-to-Read and Read-to-Write Timing

Note: The rising time and falling time ( $T_r$ ,  $T_f$ ) of input signal and fall time are specified at 15 ns or less. Logic high and low levels are specified as 30% and 70% of VDDI for Input signals.

### 7.0.2 Serial Interface Characteristics (3-line serial)





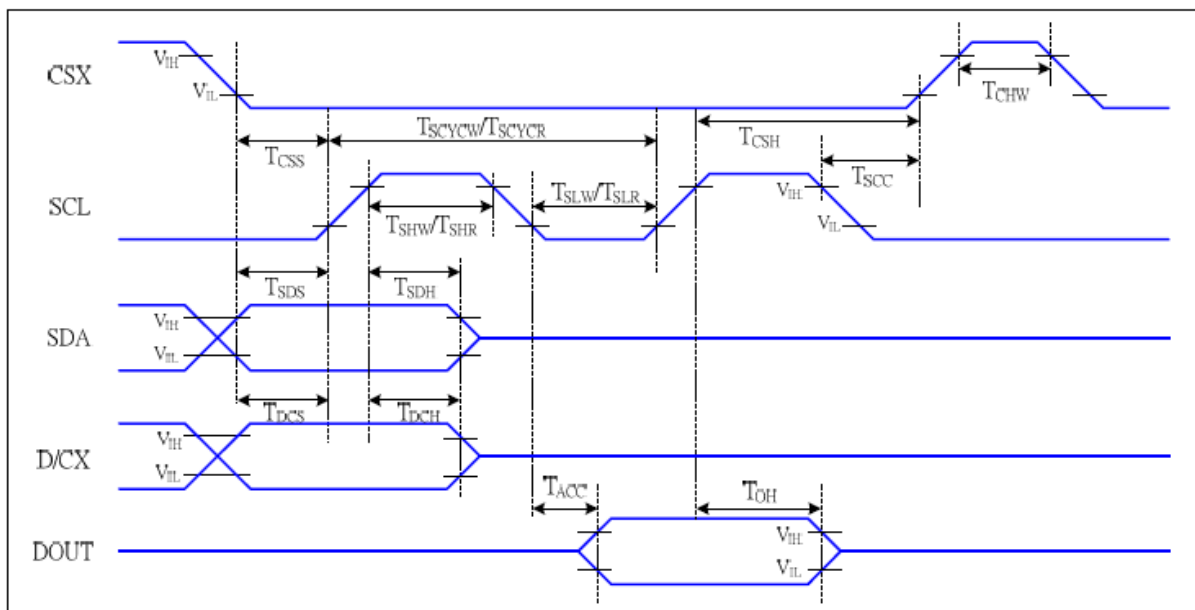
VDDI=1.65 to 3.3V, VDD=2.4 to 3.3V, AGND=DGND=0V, Ta=-30 to 70 °C

Signal	Symbol	Parameter	Min	Max	Unit	Description
CSX	$T_{CSS}$	Chip select setup time (write)	15		ns	
	$T_{CSH}$	Chip select hold time (write)	15		ns	
	$T_{CSS}$	Chip select setup time (read)	60		ns	
	$T_{SCC}$	Chip select hold time (read)	65		ns	
	$T_{CHW}$	Chip select "H" pulse width	40		ns	
SCL	$T_{SCYCW}$	Serial clock cycle (Write)	66		ns	
	$T_{SHW}$	SCL "H" pulse width (Write)	15		ns	
	$T_{SLW}$	SCL "L" pulse width (Write)	15		ns	
	$T_{SCYCR}$	Serial clock cycle (Read)	150		ns	
	$T_{SHR}$	SCL "H" pulse width (Read)	60		ns	
	$T_{SLR}$	SCL "L" pulse width (Read)	60		ns	
SDA (DIN)	$T_{SDS}$	Data setup time	10		ns	
	$T_{SDH}$	Data hold time	10		ns	
DOUT	$T_{ACC}$	Access time	10	50	ns	For maximum CL=30pF
	$T_{OH}$	Output disable time	15	50	ns	For minimum CL=8pF

Table 5 3-line serial Interface Characteristics

Note : The rising time and falling time ( $T_r$ ,  $T_f$ ) of input signal are specified at 15 ns or less. Logic high and low levels are specified as 30% and 70% of VDDI for Input signals.

### 7.0.3 Serial Interface Characteristics (4-line serial)

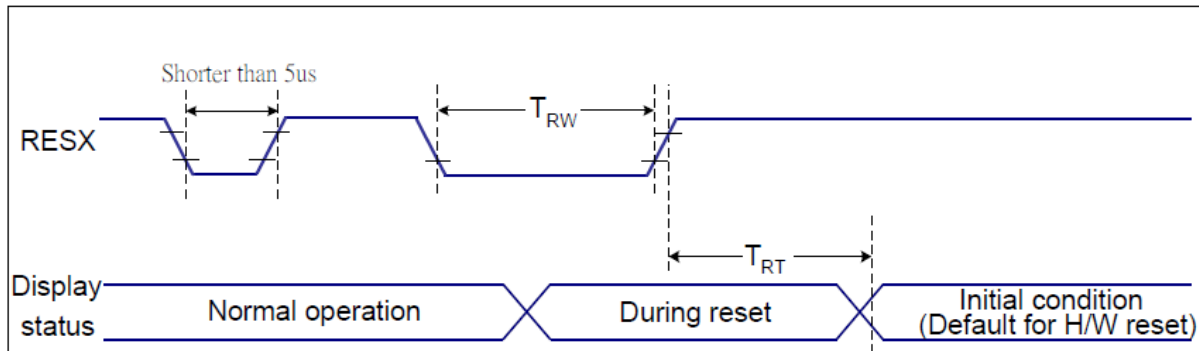




VDDI=1.65 to 3.3V, VDD=2.4 to 3.3V, AGND=DGND=0V, Ta=-30 to 70 °C

Signal	Symbol	Parameter	MIN	MAX	Unit	Description
CSX	T <sub>CSS</sub>	Chip select setup time (write)	15		ns	
	T <sub>CSH</sub>	Chip select hold time (write)	15		ns	
	T <sub>CSS</sub>	Chip select setup time (read)	60		ns	
	T <sub>SCC</sub>	Chip select hold time (read)	65		ns	
	T <sub>CHW</sub>	Chip select "H" pulse width	40		ns	
SCL	T <sub>SCYCW</sub>	Serial clock cycle (Write)	66		ns	-write command & data ram
	T <sub>SHW</sub>	SCL "H" pulse width (Write)	15		ns	
	T <sub>SLW</sub>	SCL "L" pulse width (Write)	15		ns	
	T <sub>SCYCR</sub>	Serial clock cycle (Read)	150		ns	-read command & data ram
	T <sub>SHR</sub>	SCL "H" pulse width (Read)	60		ns	
	T <sub>SLR</sub>	SCL "L" pulse width (Read)	60		ns	
D/CX	T <sub>DCS</sub>	D/CX setup time	10		ns	
	T <sub>DCH</sub>	D/CX hold time	10		ns	
SDA (DIN)	T <sub>SDS</sub>	Data setup time	10		ns	
	T <sub>SDH</sub>	Data hold time	10		ns	
DOUT	T <sub>ACC</sub>	Access time	10	50	ns	For maximum CL=30pF
	T <sub>OH</sub>	Output disable time	15	50	ns	For minimum CL=8pF

7.0.4 Reset Timing



VDDI=1.65 to 3.3V, VDD=2.4 to 3.3V, AGND=DGND=0V, Ta=-30 - 70 °C

Related Pins	Symbol	Parameter	MIN	MAX	Unit
RESX	TRW	Reset pulse duration	10	-	us
	TRT	Reset cancel	-	5 (Note 1, 5)	ms
				120 (Note 1, 6, 7)	ms

Notes:

1. The reset cancel includes also required time for loading ID bytes, VCOM setting and other setting from NVM (or similar device) to registers. This

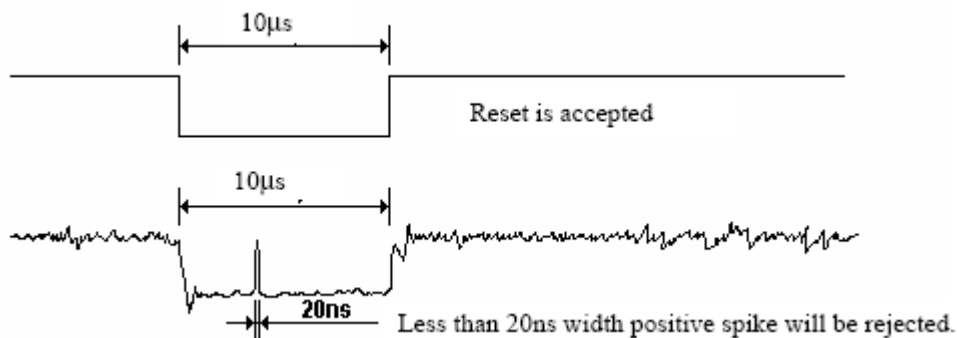


loading is done every time when there is HW reset cancel time (tRT) within 5ms after arising edge of RESX.

- 2. Spike due to an electrostatic discharge on RESX line does not cause irregular system reset according to the table below:

RESX Pulse	Action
Shorter than 5us	Reset Rejected
Longer than 9us	Reset
Between 5us and 9us	Reset starts

- 3. During the Resetting period, the display will be blanked (The display is entering blanking sequence, which maximum time is 120ms, when Reset Starts in Sleep Out-mode. The display remains the blank state in Sleep In-mode.) and then return to default condition for Hardware Reset.
- 4. Spike Rejection also applies during a valid reset pulses as shown below:



- 5. When Reset applied during Sleep In Mode.
- 6. When Reset applied during Sleep Out Mode.
- 7. It is necessary to wait 5ms after releasing RESX before sending commands. Also Sleep Out command cannot be sent for 120ms.



**8.0 Reliability Test Condition**

Item		Test Condition
Operating	High Temperature	70degC, 240 hrs
	Low Temperature	-20degC,240 hrs
Storage	High Temperature	80degC, 240hrs and recovery for 2hrs
	Low Temperature	-30degC, 240hrs and recovery for 2hrs
	High Temperature and High Humidity	50degC, 90%RH, 240hrs and recovery for 2 hrs
Thermal	Cycle	RT → 20degC → Rt → 70degC → RT 0min 30min 5min 30min 5min 50 cycles (Power off)
	Shock	RT → 20degV → 70degC 0min 30min 30min 50 cycles (Power off)

Note: RT means Room temperature





9.0 Inspection Criteria

No	Defect	Definition of defect	Inspection Criteria												
1	a) Definition of dot	<p>The size of defective dot over 1/2 of whole is regards as one defective dot.</p> <p>Smaller than 1/2      Larger than 1/2</p> <p>R G B                      R G B</p> <p>'No dot defect' (ignore)      '1 dot defect' (counted)</p>	<p>A – Viewing Area B – Outside viewing area</p>												
	b) Bright Dot	Dot appear bright and unchanged in size when LCD panel is displaying black pattern	<table border="1"> <tr> <th>Defect</th> <th>A</th> <th>B</th> </tr> <tr> <td>Bright Dot</td> <td>1</td> <td rowspan="2">NC</td> </tr> <tr> <td>Dark Dot</td> <td>2</td> </tr> <tr> <td>Total</td> <td>3</td> <td></td> </tr> </table>	Defect	A	B	Bright Dot	1	NC	Dark Dot	2	Total	3		
	Defect	A	B												
	Bright Dot	1	NC												
Dark Dot	2														
Total	3														
c) Dark Dot	Dot appear dark and unchanged in size when LCD panel is displaying pure color (RED, GREEN or BLUE) pattern	<table border="1"> <tr> <th>Defect</th> <th>A</th> <th>B</th> </tr> <tr> <td>Bright Dot</td> <td>1</td> <td rowspan="2">NC</td> </tr> <tr> <td>Dark Dot</td> <td>2</td> </tr> <tr> <td>Total</td> <td>3</td> <td></td> </tr> </table> <p>NC – Not Count</p>	Defect	A	B	Bright Dot	1	NC	Dark Dot	2	Total	3			
Defect	A	B													
Bright Dot	1	NC													
Dark Dot	2														
Total	3														
d) 2 dot adjacent	<p>1 pair = 2 dots</p> <p>Type 1      Type 2</p> <p>Type 3      or      Type 4</p>	<table border="1"> <tr> <th>Defect</th> <th>Acc. Count</th> </tr> <tr> <td>2 Bright dot Adjacent</td> <td>0</td> </tr> <tr> <td>2 Dark dot Adjacent</td> <td>1</td> </tr> </table>	Defect	Acc. Count	2 Bright dot Adjacent	0	2 Dark dot Adjacent	1							
Defect	Acc. Count														
2 Bright dot Adjacent	0														
2 Dark dot Adjacent	1														
2	<p>Black spot White Spot Bright spot Pin Hole Foreign Particle</p>	<p>-Black/Dark/Bright Spot is points on display which appear dark/bright and usually result from contamination - These defect do not vary in size intensity (contrast) when kontras is varied.</p> <p><math>D = \frac{a+b}{2}(\text{mm})</math></p>	<table border="1"> <tr> <th>Defect Category</th> <th>A</th> <th>B</th> </tr> <tr> <td><math>D \leq 0.10</math></td> <td>NC</td> <td rowspan="4">NC</td> </tr> <tr> <td><math>0.10 \leq D \leq 0.15</math></td> <td>2</td> </tr> <tr> <td><math>0.15 \leq D \leq 0.20</math></td> <td>1</td> </tr> <tr> <td><math>D \geq 0.2</math></td> <td>0</td> </tr> </table>	Defect Category	A	B	$D \leq 0.10$	NC	NC	$0.10 \leq D \leq 0.15$	2	$0.15 \leq D \leq 0.20$	1	$D \geq 0.2$	0
Defect Category	A	B													
$D \leq 0.10$	NC	NC													
$0.10 \leq D \leq 0.15$	2														
$0.15 \leq D \leq 0.20$	1														
$D \geq 0.2$	0														
3	<p>Black Line White line Particle between POL and Glass Scratch on Glass</p>		<table border="1"> <tr> <th>Defect Category</th> <th>A</th> <th>B</th> </tr> <tr> <td><math>W \leq 0.03</math></td> <td>NC</td> <td rowspan="3">NC</td> </tr> <tr> <td><math>0.03 \leq W \leq 0.05, L \leq 2.0</math></td> <td>2</td> </tr> <tr> <td><math>W \geq 0.05</math></td> <td>0</td> </tr> </table>	Defect Category	A	B	$W \leq 0.03$	NC	NC	$0.03 \leq W \leq 0.05, L \leq 2.0$	2	$W \geq 0.05$	0		
Defect Category	A	B													
$W \leq 0.03$	NC	NC													
$0.03 \leq W \leq 0.05, L \leq 2.0$	2														
$W \geq 0.05$	0														
4	<p>POL Bubble POL Dented</p>		<table border="1"> <tr> <th>Defect Category</th> <th>A</th> <th>B</th> </tr> <tr> <td><math>D \leq 0.20</math></td> <td>NC</td> <td rowspan="4">NC</td> </tr> <tr> <td><math>0.20 \leq D \leq 0.30</math></td> <td>3</td> </tr> <tr> <td><math>0.30 \leq D \leq 0.50</math></td> <td>2</td> </tr> <tr> <td><math>D \geq 0.5</math></td> <td>0</td> </tr> </table>	Defect Category	A	B	$D \leq 0.20$	NC	NC	$0.20 \leq D \leq 0.30$	3	$0.30 \leq D \leq 0.50$	2	$D \geq 0.5$	0
Defect Category	A	B													
$D \leq 0.20$	NC	NC													
$0.20 \leq D \leq 0.30$	3														
$0.30 \leq D \leq 0.50$	2														
$D \geq 0.5$	0														
5	<p>Mura (50% Grey)</p>		<p>Judged by Limit sample</p>												



## 10.0 Precaution and Limited Warranty

### 1. Handling Precautions

- a. The display panel is made of glass and polarizer. As glass is fragile. It tends to chip during handling especially on the edges. Please avoid dropping or jarring. Do not subject it to a mechanical shock of impact or by dropping it.
- b. If the display panel is damaged and the liquid crystal substance leaks out, be sure not to get any in your mouth. If the substance is in contact with your skin or clothes, wash it off using soap and water.
- c. Do not apply excessive force to the display surface or the adjoining areas since this may cause the color tone to vary. Do not touch the display with bare hands. This will stain the display area and degrade the insulation between terminals. Scratch and dents may occur on polarizer too.
- d. The polarizer covering the display surface of the LCD module is soft and easily scratched. Handle this polarizer carefully. Do not touch, push or rub the exposed polarizers with anything harder than a HB pencil lead (glass, tweezers, etc.). Do not put or attach anything on the display area to avoid leaving marks on it. Condensation on the surface and contact with terminals due to cold will damage, stain or dirty the polarizer. After products are tested at low temperature they must be warmed up in a container before coming in to contact with room temperature air.
- e. If the display surface becomes contaminated, breathe on the surface and gently wipe it with a soft dry cloth. If it is heavily contaminated, moisten cloth with one of the following solvents
  - Isopropyl alcohol
  - Ethyl alcohol
  - Do not scrub hard to avoid damaging the display surface.
- f. Solvents other than those above-mentioned may damage the polarizer. Especially, do not use the following.
  - Water
  - Ketone
  - Aromatic solvents
  - Wipe off saliva or water drops immediately, contact with water over a long period of time may cause deformation or colour fading. Avoid contact with oil and fats.
- g. Exercise care to minimize corrosion of the electrode. Corrosion of the electrodes is accelerated by water droplets, moisture condensation or a current flow in a high-humidity environment.
- h. Install the LCD Module by using the mounting holes. When mounting the LCD module make sure it is free of twisting, warping and distortion. In particular, do not forcibly pull or bend the I/O cable or the backlight cable.
- i. Do not attempt to disassemble or process the LCD module.
- j. NC terminal should be open. Do not connect anything.
- k. If the logic circuit power is off, do not apply the input signals.
- l. Electro-Static Discharge Control. Since this module uses a CMOS LSI, the same careful attention should be paid to electrostatic discharge as for an ordinary CMOS IC. To prevent destruction of the elements by static electricity, be careful to maintain an optimum work environment.
  - Before removing LCM from its packing case or incorporating it into a set, be sure the module and your body have the same electric potential. Be sure to ground the body when handling the LCD modules.
  - Tools required for assembly, such as soldering irons, must be properly grounded. Make certain the AC power source for the soldering iron does not leak. When using an electric screwdriver to attach LCM, the screw driver should be of ground potentiality to minimize as much as possible any



transmission of electromagnetic waves produced sparks coming from the commutator of the motor.

- To reduce the amount of static electricity generated, do not conduct assembly and other work under dry conditions. To reduce the generation of static electricity be careful that the air in the work environment is not too dry. A relative humidity of 50%-60% is recommended. As far as possible make the electric potential of your work clothes and that of the work bench the ground potential.
  - The LCD module is coated with a film to protect the display surface. Exercise care when peeling off this protective film since static electricity may be generated.
- m. Since LCM has been assembled and adjusted with a high degree of precision, avoid applying excessive shocks to the module or making any alterations or modifications to it.
- Do not alter, modify or change the shape of the tab on the metal frame.
  - Do not make extra holes on the printed circuit board, modify its shape or change the positions of components to be attached.
  - Do not damage or modify the pattern writing on the printed circuit board.
  - Absolutely do not modify the zebra rubber strip (conductive rubber) or heat seal connector.
  - Except for soldering the interface, do not make any alterations or modifications with a soldering iron.
  - Do not drop, bend or twist the LCM.

## 2. Storage Precautions

When storing the LCD modules, the following precaution are necessary.

- a. Store them in a sealed polyethylene bag. If properly sealed, there is no need for the desiccant.
- b. Store them in a dark place. Do not expose to sunlight or fluorescent light, keep the temperature between 0°C and 35°C, and keep the relative humidity between 40%RH and 60%RH.
- c. The polarizer surface should not come in contact with any other objects.

## 3. Others

- a. Liquid crystals solidify under low temperature (below the storage temperature range) leading to defective orientation or the generation of air bubbles (black or white). Air bubbles may also be generated if the module is subject to a low temperature.
- b. If the LCD modules have been operating for a long time showing the same display patterns, the display patterns may remain on the screen as ghost images and a slight contrast irregularity may also appear. A normal operating status can be regained by suspending use for some time. It should be noted that this phenomenon does not adversely affect performance reliability.
- c. To minimize the performance degradation of the LCD modules resulting from destruction caused by static electricity etc. Exercise care to avoid holding the following sections when handling the modules.
  - Exposed area of the printed circuit board.
  - Terminal electrode sections.

## 4. Using LCD Modules

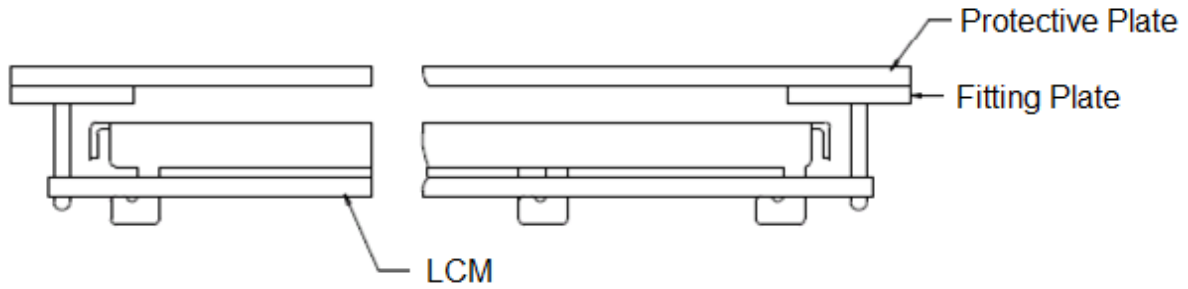
### a. Installing LCD Modules

The hole in the printed circuit board is used to fix LCM as shown in the picture below.

Attend to the following items when installing the LCM.



- b. Cover the surface with a transparent protective plate to protect the polarizer and LC cell.



- c. When assembling the LCM into other equipment, the spacer to the bit between the LCM and the fitting plate should have enough height to avoid causing stress to the module surface, refer to the individual specifications for measurements. The measurement tolerance should be 0.1mm.
- d. Precaution for assemble the module with BTB connector:  
Please note the position of the male and female connector position, don't assemble or assemble like the method which the following picture shows



**5. Precaution for soldering the LCM**

	Manual soldering	Machine drag soldering	Machine press soldering
No RoHS Product	290°C ~350°C. Time: 3-5S.	330°C ~350°C. Speed: 4-8 mm/s.	300°C ~330°C. Time: 3-6S. Press: 0.8~1.2Mpa
RoHS Product	340°C ~370°C. Time: 3-5S.	350°C ~370°C. Time: 4-8 mm/s.	330°C ~360°C. Time: 3-6S. Press: 0.8~1.2Mpa

- a. If soldering flux is used, be sure to remove any remaining flux after finishing the soldering operation (This does not apply in the case of a non-halogen type of flux). It is recommended that you protect the LCD surface with a cover during soldering to prevent any damage due to flux spatters.
- b. When soldering the electroluminescent panel and PC board, the panel and board should not be detached more than three times. This maximum number is determined by the temperature and time conditions mentioned above, though there may be some variance depending on the temperature of the soldering iron.
- c. When removing the electroluminescent panel from the PC board, be sure the solder has completely melted, the soldered pad on the PC board could be damaged.



**6. Precautions for Operation**

- a. Viewing angle varies with the change of liquid crystal driving voltage (VLCD). Adjust VLCD to show the best contrast.
- b. It is recommended to drive LCD's within the specified voltage limit since over limit will cause shorter LCD life. An electrochemical reaction due to direct current causes LCD-deterioration. Avoid the use of direct current drive.
- c. Response time will be extremely delayed at lower temperature compared to room operating temperature range and on the other hand, at higher temperature LCD shows dark color in them. However those phenomena do not mean malfunction. The LCD will return to normal performance when ambient temperature revert to room condition.
- d. If the display area is pushed hard during operation, the display will become abnormal. However, it will return to normal if it is turned off and on.
- e. A slight dew depositing on terminals is a cause for electro-chemical reaction resulting in terminal open circuit.
- f. Input logic voltage before apply analogue high voltage such as LCD driving voltage when power on. Remove analogue high voltage before logic voltage when power off the module. Input each signal after the positive/negative voltage becomes stable.
- g. Please keep the temperature within the specified range for use and storage. Polarization degradation, bubble generation or polarizer peel-off may occur with high temperature and high humidity.

**7. Safety**

- a. It is recommended to crush damaged or unnecessary LCDs into pieces and wash them off with solvents such as acetone and ethanol, which should later be burned.
- b. If any liquid leaks out of a damaged glass cell and comes in contact with the hands, wash off thoroughly with soap and water.

**8. Limited Warranty**

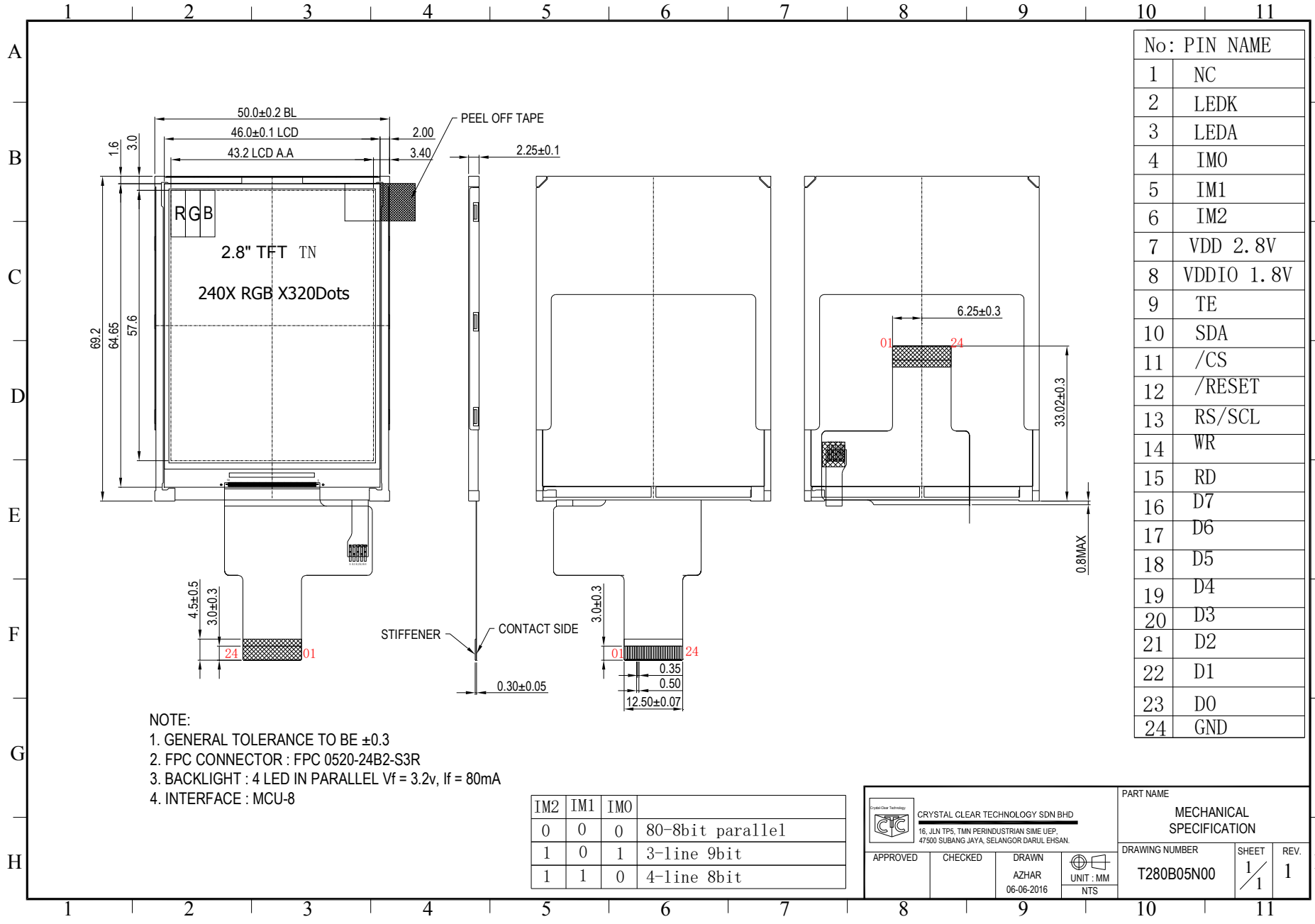
Unless otherwise agreed between Crystal Clear Technology and customer, Crystal Clear Technology will replace or repair any of its LCD and LCM which is found to be defective electrically and visually when inspected in accordance with Crystal Clear Technology acceptance standards, for a period of one year from date of shipment. Confirmation of such date shall be based on freight documents. The warranty liability of Crystal Clear Technology is limited to repair and/or replacement on the terms set forth above. Crystal Clear Technology will not responsible for any subsequent or consequential events.

**9. Return LCM under Warranty**

No warranty can be granted if the precautions stated above have been disregarded. The typical examples of violations are:

- Broken LCD glass
- PCB eyelet's damaged or modified
- PCB conductors damaged
- Circuit modified in any way, including addition of components.
- PCB tampered with by grinding, engraving or painting varnish.
- Soldering to, or modifying the bezel in any manner.


Module repairs will be invoiced to customer upon mutual agreement. Modules must be returned with sufficient description of failure or defects. Any connectors or cable installed by customer must be removed completely without damaging the PCB eyelet's, conductors and terminals.



No:	PIN NAME
1	NC
2	LEDK
3	LEDA
4	IMO
5	IM1
6	IM2
7	VDD 2.8V
8	VDDIO 1.8V
9	TE
10	SDA
11	/CS
12	/RESET
13	RS/SCL
14	WR
15	RD
16	D7
17	D6
18	D5
19	D4
20	D3
21	D2
22	D1
23	D0
24	GND

NOTE:  
 1. GENERAL TOLERANCE TO BE ±0.3  
 2. FPC CONNECTOR : FPC 0520-24B2-S3R  
 3. BACKLIGHT : 4 LED IN PARALLEL Vf = 3.2v, If = 80mA  
 4. INTERFACE : MCU-8

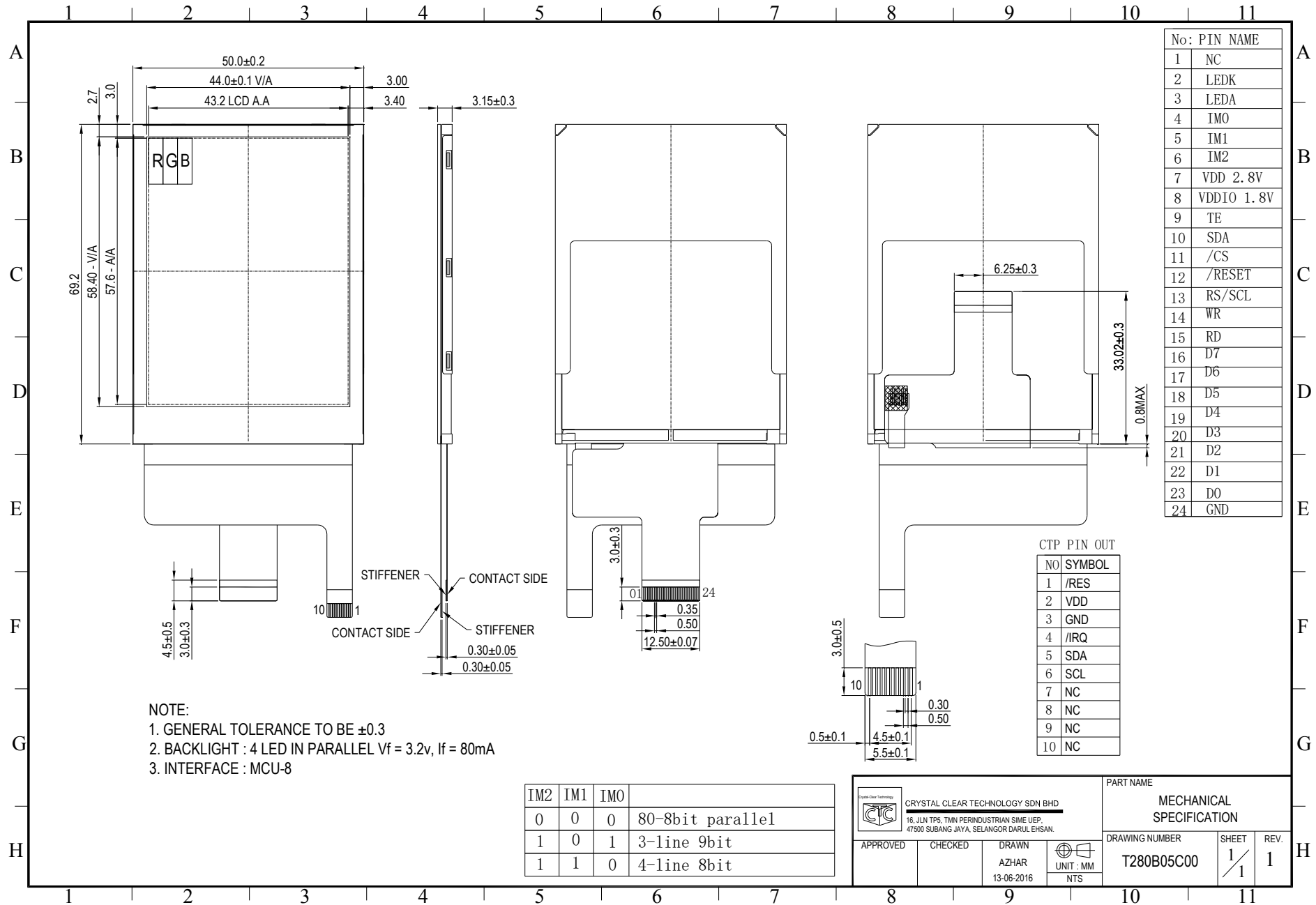
IM2	IM1	IMO	
0	0	0	80-8bit parallel
1	0	1	3-line 9bit
1	1	0	4-line 8bit


**CRYSTAL CLEAR TECHNOLOGY SDN BHD**  
 16, JLN TPS, TMN PERINDUSTRIAN SIME UEP,  
 47500 SUBANG JAYA, SELANGOR DARUL EHSAN.

APPROVED: [Signature]    CHECKED: [Signature]    DRAWN: AZHAR 06-06-2016  
 UNIT: MM    NTS

PART NAME: **MECHANICAL SPECIFICATION**

DRAWING NUMBER: **T280B05N00**    SHEET: **1/1**    REV: **1**



# Crystal Clear Technology

## Product Specification

**TP0092-01**

**Crystal Clear Technology sdn. bhd.**

16Jalan TP5—Taman Perindustrian Sime UEP  
47600 Subang Jaya—Selangor DE  
Malaysia. T: +603 80247099 F: +603 80247098

---





---

**CONTENTS**

No	Title	Page
1	INTRODUCTION	3
2	GENERAL DESCRIPTION	3
3	ABSOLUTE MAXIMUM RATING	3
4	ELECTRICAL CHARACTERISTICS	4
5	PIN DEFINITION	4
6	I2C INTERFCE	4
7	APPEARANCE INSPECTION CONDITION AND METHODS	6
8	MECHANICAL SPECIFICATION	10



1.0 INTRODUCTION

The purpose of this specification is defined the general provision and quality requirement apply to 3.5 inch Capacitive Touch module integrated by Crystal Clear Technology. This document, together with the module drawing, is the highest level specification for this product. When users touch module by finger, the module can send coordinates of point at the contact point to host. The finger position information is sent to host by I2C bus which is determined by host through IRQ line.

2.0 GENERAL DESCRIPTION

This document contains the Capacitive Touch module specification. The maximum rating, characteristics, hardware, and inspection of the module are described in the subsequent sections. I2C protocol will be introduced in detail.

2.1 Touch sensor characteristics

- Technology: Use the character of capacitive among the touch electrodes on touch panel to identify the positions of touch signals
- Touch method: Ten fingers multi touch with pressure sensing
- Interface: I2C

2.2 General Specification

Item	Specification	Unit
Screen Diagonal	3.5	inch
Module Outline	50.0(H) x 69.2(V) x 0.55(T) (Excluded FPC)	mm
Touch Area	45.6(H) x 57.6(V)	mm
Controller	ST1633i	-
Cover Lens Material	None	-
Transparency	85	%

3.0 ABSOLUTE MAXIMUM RATING

Absolute Maximum rating of touch panel module is as following

Symbol	Parameter	Value	Unit
VDD	Supply Voltage	-0.3 to +6.0	V
TA	Operating Temperature	-20 to +70	°C
TSTG	Storage Temperature	-30 to +80	°C

Note: If the module exceeds the absolute maximum ratings, it may be damaged permanently. Also, if the module operated with the absolute maximum ratings for a long time, its reliability may drop.



## 4.0 ELECTRICAL CHARACTERISTICS

DC Characteristics (unless otherwise specie, Voltage referenced to Ground,  
 $T_A = -20^{\circ}\text{C}$  to  $70^{\circ}\text{C}$ )

Symbol	Parameter	Conditions	Min	Typ	Max	Unit
VDD	Power Supply		2.7	-	3.6	V
INML	Operating Current		-	16.1	24.0	mA
IDLE	Idle Current		-	8.1	12.2	mA
IPD	Power Down Current		-	-	20.0	uA
VIH	Logic High Input Voltage	VDD=3.3V	0.85VDD	-	-	V
VIL	Logic Low Input Voltage		-	-	0.15VDD	V
RPU	Input Pull Up Resistor		50	-	60	K $\Omega$
IDRV	Output Driving Current	VOH=0.8VDD	6	-	-	mA
ISINK	Output Sinking Current	VOL=0.2VDD	10	-	-	mA
VLVR	Low Voltage Reset		-	-	2.3	V

## 5.0 PIN DEFINITION

NO.	SYMBOL	I/O	FUNCTION
1	RST	I	Sensor system global reset
2	VDD	P	Power supply
3	GND	P	Ground
4	IRQ	O	Sensor data ready request
5	SDA	I/O	I2C serial data
6	SCL	I	I2C serial clock
7	NC	-	No connect for user
8	NC	-	No connect for user
9	NC	-	No connect for user
10	NC	-	No connect for user

## 6.0 I2C INTERFACE

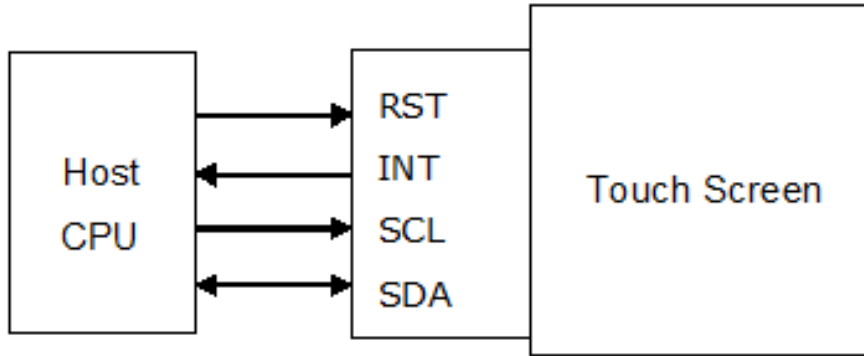
Touch panel is used as I2C Slave Device, I2C Slave address is 0x55

### 6.1 Interface Diagram

The system block diagram is as shown in below. There are three communication pins connected between CPU and Touch Panel Module which are including external interrupt INT, I2C pins SCL and SDA. The INT is active low while the touch state is calculated by Touch Panel Module and the touch information can be translated via I2C communication interface.



### Touch Panel Module



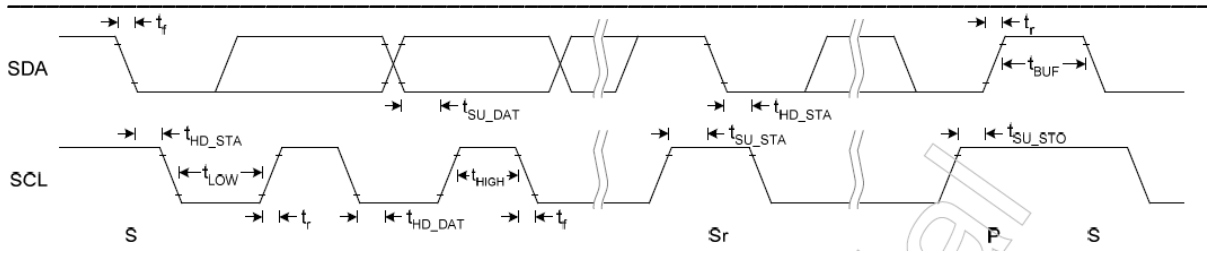
#### 6.2 Timing Characteristic

Conditions:

VDD - GND = 3.3V

TA = 25°C

Symbol	Parameter	Min	Typ	Max	Unit
f <sub>SCL</sub>	SCL clock frequency	0	-	400	kHz
t <sub>LOW</sub>	Low period of the SCL clock	1.3	-	-	us
t <sub>HIGH</sub>	High period of the SCL clock	0.6	-	-	us
t <sub>f</sub>	Signal falling time	-	-	300	ns
t <sub>r</sub>	Signal rising time	-	-	300	ns
t <sub>SU_STA</sub>	Set up time for a repeated START condition	0.6	-	-	us
T <sub>HD_STA</sub>	Hold time (repeated) START condition. After this period, the first clock pulse is generated	0.6	-	-	us
t <sub>SU_DAT</sub>	Data set up time	100	-	-	ns
t <sub>HD_DAT</sub>	Data hold time	0	-	0.9	us
t <sub>SU_STO</sub>	Set up time for STOP condition	0.6	-	-	us
t <sub>BUF</sub>	Bus free time between a STOP and START condition	1.3	-	-	us
C <sub>b</sub>	Capacitive load for each bus line	-	-	400	pF



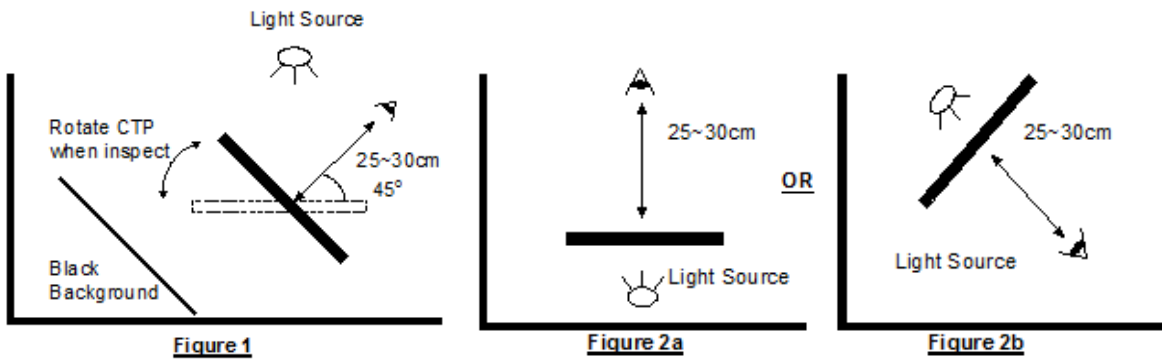
7.0 APPEARANCE INSPECTION CONDITION AND METHODS

7.1 Inspection distance : 25~30cm

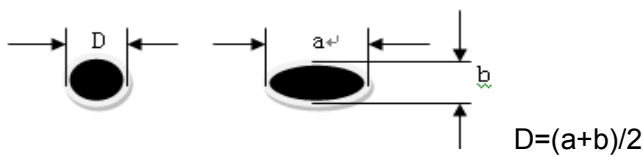
7.2 Angle of inspection:

7.2.1 Under black background, 1.0K- 1.5K Lux, rotate the C-TP from head on to 45 deg to check on defects such as foreign material, line shape, pin hole, bubble, scratches, dented and chips. (Figure 1)

7.2.2 Put on light box to check on defects such as black dot, cover lens ink print scratch and pin hole. (Figure 2a or Figure 2b)

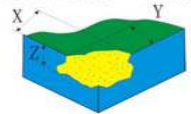
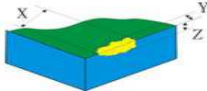
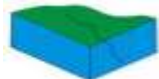


7.3 For pin hole defect is determined by the size of D dot diameter, irregular dot defect is determined by  $D = (length + width)/2$ .

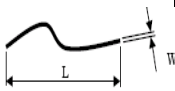
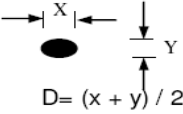
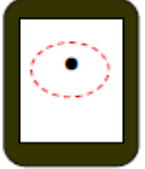
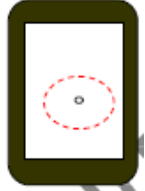




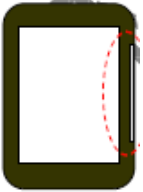
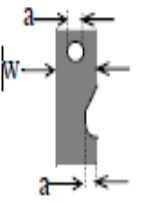


7.4 Products appearance standard :

Defect Category	Criterion		Defects classification	
			MA	MI
<b>Corner chip</b> 	$X \leq 1.0\text{mm}$ ; $Y \leq 1.0\text{mm}$ ; $Z \leq 1/2T$ T= Thickness	One side allow 1 chip		Δ
	$X > 1.0\text{mm}$ , $Y > 1.0\text{mm}$	REJECT		Δ
<b>Edge chip</b> 	$X \leq 1.0\text{mm}$ ; $Y \leq 1.0\text{mm}$ ; $Z \leq 1/2T$ T= Thickness	One side allow 1 chip		Δ
	$X > 1.0\text{mm}$ , $Y > 1.0\text{mm}$	REJECT		
	1. Sensor Corner and edge chip that do not cause any damage to the tracer and not visible from front view  2. Lens Corner and edge chip that is not visible to end-user after housing assembly.	ACCEPT		Δ
	Sensor Corner and edge chip damage the tracer and visible from front view	REJECT		Δ
<b>Glass crack</b> 	Any crack	REJECT	Δ	



Defect Category	Criterion		Defect Classification	
			MA	MI
Line shape (Including scratch fiber)  W: Width L: Length	$W \leq 0.03\text{mm}$	No Count/ Ignore		Δ
	$0.05\text{ mm} \leq W \leq 0.1\text{ mm}, L \leq 3\text{mm}$	Allow 2 lines, Distance between 2 line $\geq 10\text{mm}$		Δ
	$W > 0.1\text{mm}, L > 3\text{mm}$	REJECT		Δ
Foreign round shape (e.g. white dot, black dot, air bubble) D = diameter  	$D \leq 0.15\text{ mm}$	No Count/ Ignore Dots gather at 1 area not allowed. Distance between 2 dots $\geq 10\text{mm}$		Δ
	$0.15\text{ mm} < D \leq 0.25\text{ mm}$ allowed two dots, distance should be above 10mm	Allow 2 Dots Distance between 2 dots $\geq 10\text{mm}$		Δ
	$D > 0.25\text{mm}$	REJECT	Δ	
Dent 	$D \leq 0.15\text{ mm}$	No Count/ Ignore Dots gather at 1 area not allowed. Distance between 2 dots $\geq 10\text{mm}$		Δ
	$0.15\text{ mm} < D \leq 0.25\text{mm}$	Allow 2 Dots Distance between 2 dots $\geq 10\text{mm}$		Δ
	$D > 0.25\text{mm}$	REJECT	Δ	



Defect Category	Criterion		Defects classification	
			MA	MI
Printing ink light leakage 	Light leakage at edge area, Width $\leq 0.15\text{mm}$	ACCEPT		Δ
	Light leakage at edge area, Width $> 0.15\text{mm}$	REJECT	Δ	
Surface Dirty	a) Dirty that can be cleaned i) $\leq 20\%$ of inspected quantity in one lot at $>$ class 10K clean room ii) $\leq 10\%$ of inspected quantity in one lot at $\leq$ class 10K clean room	ACCEPT		Δ
	b) Dirty that cannot be cleaned it is classified as foreign round shape defect	Follow foreign round shape spec		Δ
FPC defects on contact pad 	Dent, pinhole $a \leq W/3$	ACCEPT		Δ
	Open circuit /cracking	REJECT	Δ	
	Oxidation, contamination	REJECT	Δ	
FPC broken 	FPC broken/ Extruded (bended)	REJECT	Δ	
FPC warped 	FPC warped	ACCEPT		Δ